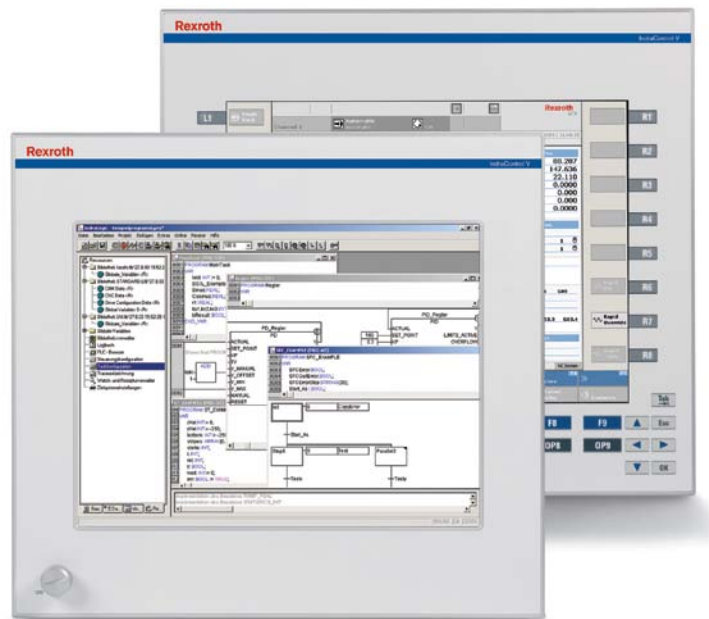


Compact PC
15" display
IndraControl VPP 40



Compact PC

15" display ■ IndraControl VPP 40

Documentation
Project Planning
Manual

**Technical data**

	VPP 40.3 DE	VPP 40.3 BI	VPP 40.3 DF
Processor			
CPU	Celeron P4500 1.86 GHz Core i5-520M 2.4 GHz Core i7 620M 2.66 GHz	Celeron P4500 1.86 GHz Core i5-520M 2.4 GHz Core i7 620M 2.66 GHz	Celeron P4500 1.86 GHz Core i5-520M 2.4 GHz Core i7 620M 2.66 GHz
Operating system	Windows XP Windows 7	Windows XP Windows 7	Windows XP Windows 7
Hardware			
PCI/PCIe slots	1/0 2/0 1/1 4/0 2/2	1/0 2/0 1/1 4/0 2/2	1/0 2/0 1/1 4/0 2/2
Hard disk	1 x 160 GB (Default)	1 x 160 GB (Default)	1 x 160 GB (Default)
Hard disk (RAID 1)	2 x 160 GB (Optional)	2 x 160 GB (Optional)	2 x 160 GB (Optional)
Solid State Disk SSD	100 GB (Optional)	100 GB (Optional)	100 GB (Optional)
DVD-ROM/DVD-RW	DVD recorder (Optional)	DVD recorder (Optional)	DVD recorder (Optional)
Memory			
Application	2 GB 4 GB	2 GB 4 GB	2 GB 4 GB
Display			
Type	TFT	TFT	TFT
Size	38.1 cm (15")	38.1 cm (15")	38.1 cm (15")
Colors/gray tones	16 Mio	16 Mio	16 Mio
	Colors	Colors	Colors
Resolution	1024 x 768	1024 x 768	1024 x 768
Operation			
Type	touch operation	keyboard operation	touch + function keys
Function keys	0	16	16
Machine keys	0	16	16
Additional keys	0	14	14
Keyboard	Additional components VAK	Additional components VAK	Additional components VAK
Status-LED	Voltage	Voltage	Voltage
	Hard disk	Hard disk	Hard disk
	Temperature	Temperature	Temperature
	UPS	UPS	UPS

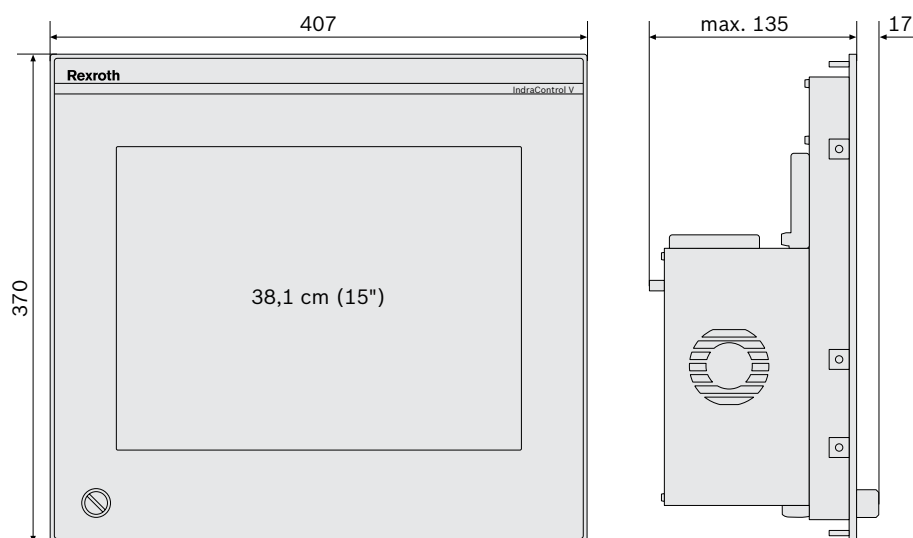
Compact PC

15" display ■ IndraControl VPP 40

Interfaces				
Ethernet		2 x Ethernet TCP/IP	2 x Ethernet TCP/IP	2 x Ethernet TCP/IP
USB		6 x USB 2.0	6 x USB 2.0	6 x USB 2.0
		1 x USB Front	1 x USB Front	1 x USB Front
Externer Servicemonitor		1 x VGA	1 x VGA	1 x VGA
Electrical data				
Supply voltage	U	24 V DC	24 V DC	24 V DC
Min.	U min	19 V DC	19 V DC	19 V DC
Max.	U max	30 V DC	30 V DC	30 V DC
Power consumption	[W]	160	160	160
UPS		External	External	External
Protection				
Category at front		IP65	IP65	IP65
Category at rear		IP20	IP20	IP20
Other				
Colors		Light-grey RAL 7035	Light-grey RAL 7035	Light-grey RAL 7035
Load				
Vibration resistance	[g]	1	1	1
			1 g	
Shock resistance	[g]	15	15	15
			15 g	
Norms and standards				
Certification		CE/UL/CSA	CE/UL/CSA	CE/UL/CSA
Ambient conditions				
Permissible temperature (operation)		+5 °C ... +45 °C		
Permissible relative humidity (operation)		5 % ... 85 %, EN 61131-2		

Dimensions

Compact PC

15" display ■ IndraControl VPP 40

		VPP 40.3 BI
Dimensions		
Height H, 1 slot	[mm]	370
Width B, 1 slot	[mm]	407
Depth T, 1 slot	[mm]	109
Height H, 2 slots	[mm]	370
Width B, 2 slots	[mm]	407
Depth T, 2 slots	[mm]	135
Height H, 4 slots	[mm]	370
Width B, 4 slots	[mm]	407
Depth T, 4 slots	[mm]	117

Ordering information

Type code	Description	Part number:
VPP40.3DEK-2G0NN-C3D-DN-NN-FW	IndraControl VPP 40, 38.1 cm (15") display, touch screen, CPU Celeron P4500, 2 GB RAM, 1x PCI slot, 160 GB HDD	R911172466
VPP40.3BIK-2G0NN-C3D-DN-NN-FW	IndraControl VPP 40, 38.1 cm (15") display, foil keys, CPU Celeron P4500, 2 GB RAM, 1x PCI slot, 160 GB HDD	R911172467
VPP40.3BIM-2G0NN-D4D-DN-NN-FW	IndraControl VPP 40, 38.1 cm (15") display, foil keys, CPU Core i5-520M, 2 GB RAM, 4x PCI slots, 160 GB HDD	R911172469
VPP40.3DEM-2G0NN-D4D-DN-NN-FW	IndraControl VPP 40, 38.1 cm (15") display, touch screen, CPU Core i5-520M, 2 GB RAM, 4x PCI slots, 160 GB HDD	R911172468
VPP40.3BIM-2G0NN-D4D-HN-NN-FW	IndraControl VPP 40, 38.1 cm (15") display, foil keys, CPU Core i5-520M, 2 GB RAM, 4x PCI slots, 100 GB SSD	R911172879
VPP40.3DEM-2G0NN-D4D-HN-NN-FW	IndraControl VPP 40, 38.1 cm (15") display, touch screen, CPU Core i5-520M, 2 GB RAM, 4x PCI slots, 100 GB SSD	R911172877
VPP40.3DFM-2G0NN-D4D-DN-NN-FW	IndraControl VPP 40, 38.1 cm (15") display, foil keys and touch screen, CPU Core i5-520M, 2 GB RAM, 4x PCI slots, 160 GB HDD	R911172842
VPP40.3DFL-2G0NN-D4D-HN-NN-FW	IndraControl VPP 40, 38.1 cm (15") display, foil keys and touch screen, CPU Core i5-520M, 2 GB RAM, 2x PCI slots, 100 GB HDD	R911172976
VPP40.3BIM-4G0NN-D5D-DN-NN-FW	IndraControl VPP 40, 38.1 cm (15") display, foil keys, CPU Core i7-620M, 4 GB RAM, 1x PCI slot, 100 GB SSD	R911172472

Compact PC

15" display ■ IndraControl VPP 40

Type code	Description	Part number:
VPP40.3DEM-4G0NN-D5D-DN-NN-FW	IndraControl VPP 40, 38.1 cm (15") display, touch screen, CPU Core i7-620M, 4 GB RAM, 4x PCI slots, 160 GB HDD	R911172471
VPP40.3BIK-4G0NN-D5D-HN-NN-FW	IndraControl VPP 40, 38.1 cm (15") display, foil keys, CPU Core i7-620M, 4 GB RAM, 1x PCI slot, 100 GB SSD	R911172878
VPP40.3DEK-4G0NN-D5D-HN-NN-FW	IndraControl VPP 40, 38.1 cm (15") display, touch screen, CPU Core i7-620M, 4 GB RAM, 1x PCI slot, 100 GB SSD	R911172913
VPP40.3DEN-4G0NN-D5D-DN-NN-FW	IndraControl VPP 40, 15" display, foil keys, CPU L2400, 1GB RAM, 1 x PCI slot, 32 GB SSD	R911173027

Type code	Description	Part number:
FWA-VS3VP3-WXP-03VRS-A0-OEM	Firmware, Windows XP english operating system with MUI-language extension (German, French, Italian, Spanish, Portuguese, Swedish)	R911172447
FWA-VS3VP3-WXP-03VRS-A0-OEM A1	Firmware, Windows XP english operating system with MUI-language extension (German, French, Italian, Spanish, Portuguese, Swedish) and Acronis data backup software	R911172448
FWA-VP3***-W7*-01VRS-A0-OEM	Firmware, operating system Windows 7 (64-bit) English with language extensions (German, French, Italian, Spanish, Portuguese, Swedish)	R911172607
FWA-VP3***-W7*-01VRS-A0-OEM A1	Firmware, operating system Windows 7 (64-bit) English with language extensions (German, French, Italian, Spanish, Portuguese, Swedish) and Acronis data backup software	R911172608

Type code	Description	Part number:
VAP01.1H-W23-024-010-NN	Voltage supply, 24 V DC power supply unit, 100-120/200-240 V AC Auto Select	R911171065
VAU01.1U-024-024-240-NN	Uninterruptible power supply UPS, 24 V DC, 240 watts	R911171024

Type code	Description	Part number:
DOK-SUPPL*-VPP*XX.3***-PR03-DE-P	IndraControl VPP project planning	R911323510
DOK-SUPPL*-VPP*XX.3***-PR03-EN-P	IndraControl VPP project planning	R911323511

Bosch Rexroth AG

Postfach 13 57
97803 Lohr, Germany
Bgm.-Dr.-Nebel-Str. 2
97816 Lohr, Germany
Tel. +49 9352 18-0
Fax +49 9352 18-8400
www.boschrexroth.com/electrics

Local contact information can be found at:

www.boschrexroth.com/adressen

The data specified above only serve to describe the product. As our products are constantly being further developed, no statements concerning a certain condition or suitability for a certain application can be derived from our information. The information given does not release the user from the obligation of own judgment and verification.

It must be remembered that our products are subject to a natural process of wear and aging.