

Hand-held operator panel
**Controller based
IndraControl VCH**



Hand-held operator panel

Controller based ■ IndraControl VCH

Documentation



IndraControl VCH 08

- Safety functions for man and machine
- Handles with integrated enabling and stop buttons
- Sturdy structure for industrial use
- Optimum ergonomics for reliable fatigue-free handling
- Brilliant 3.8" graphics display and universal-use touch panel for convenient operation and visualization

Irrespective of the particular location – IndraControl VCH 08 allows operation, setup, parameterization and diagnostics via Ethernet TCP/IP. During connection and disconnection, the stop function is overridden automatically, thus ensuring smooth work. Together with the optimal design, the low weight allows fatigue-free work and high operator convenience. The integrated 3-step enabling button and the 2-circuit stop button are looped in through the junction box VAC 30, thus ensuring maximum safety.

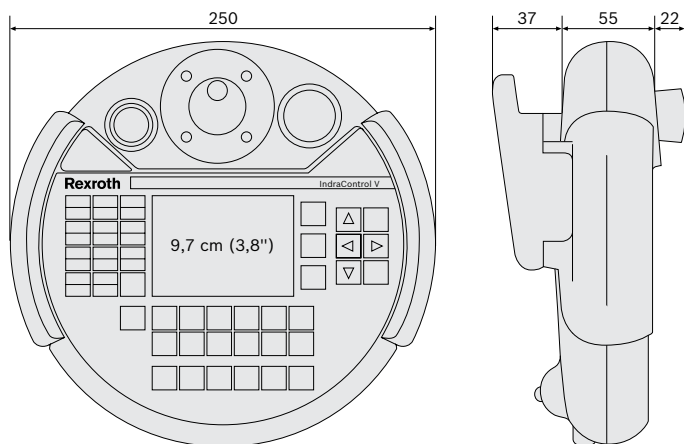
Technical data

	VCH 08.1
Processor	
CPU	PXA 270/416 MHz
Memory	
Application	64 MB
Flash size	64 MB
Display	
Type	STN
Size	9.7 cm (3.8")
Colors/gray tones	5
	gray tones
Resolution	320 x 240
Operation	
Type	Function keys
	keyboard operation
Function keys	15
... with LED	12
System keys	25
Operator keys	40
Operation	
Accept Keys	2
	2-circuit, 3-step
	Default

Hand-held operator panel

Controller based ■ IndraControl VCH

Stop, emergency-stop buttons		1
		2-circuit
		Default
Handwheel / MPG (manual pulse generator)		1
		Optional
Override Potentiometer		1
		Optional
Electrical data		
Supply voltage	U	24 V DC
Min.	U _{min}	19 V DC
Max.	U _{max}	30 V DC
Power consumption	[W]	4.8
Protection		
Overall protection category		IP65
Other		
visualization		VI-Composer
Connection cable	[m]	0.5 / 8
Ambient conditions		
Permissible temperature (operation)		+5 °C ... +45 °C
Permissible relative humidity (operation)		5 % ... 85 %, EN 61131-2

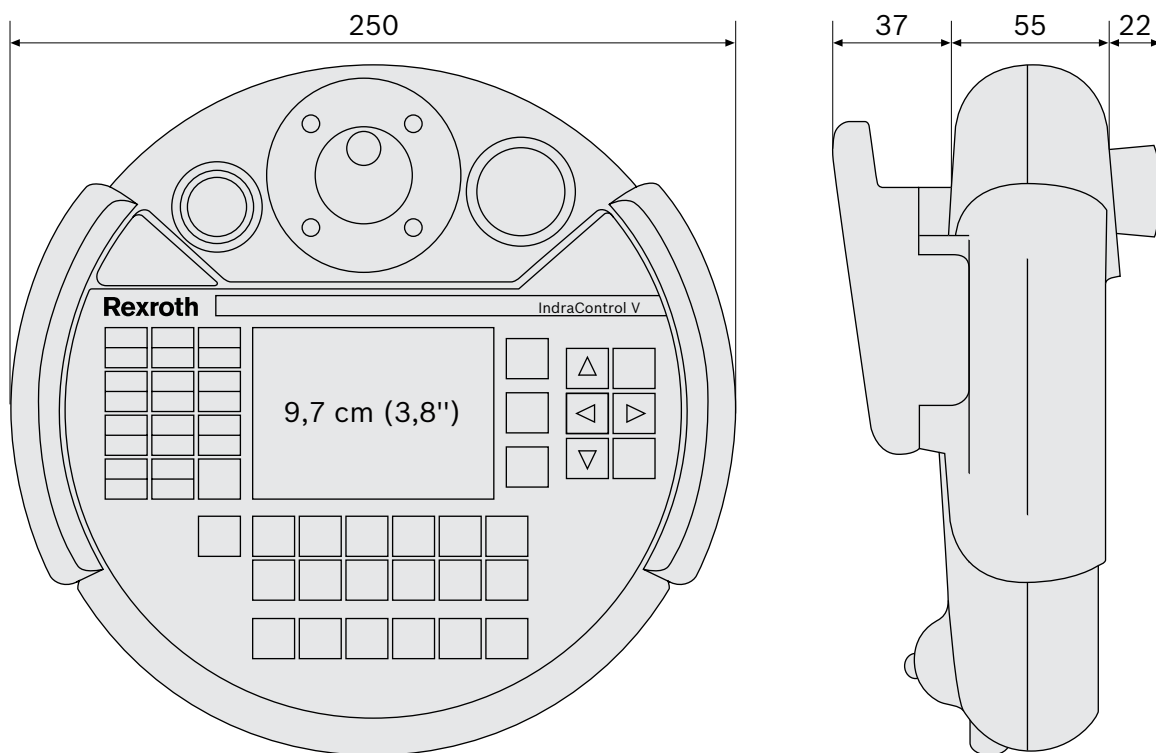
Dimensions

		VCH 08.1
Dimensions		
Depth T	[mm]	55
Diameter	[mm]	250

Hand-held operator panel

Controller based ■ IndraControl VCH

Rotary knob diameter	[mm]	37
----------------------	------	----

**Ordering information**

Type code	Description	Part number:
VCH08.1EAB-064ET-A1D-064-CS-E2-PW	IndraControl VCH 08 with handwheel (0,5 m Ethernet cable)	R911171057
VCH08.1EAB-064ET-A1D-064-FS-B2-PW	IndraControl VCH 08 with handwheel (0,5 m Ethernet cable)	R911172138
VCH08.1EAB-064ET-A1D-064-CS-E4-PW	IndraControl VCH 08 (8 m Ethernet cable)	R911171956
VCH08.1EAB-064ET-A1D-064-DS-E4-PW	IndraControl VCH 08 with handwheel (8 m Ethernet cable)	R911171955

Type code	Description	Part number:
VAS01.1-002-NNN-NN	VAS 01 wall-mounted holder	R911170839
VAC30.2N-NN	VAC 30 connection unit	R911171054
VAC31.1C-NN	Connection unit for VEH 30.2 with emergency stop button	R911171822

Hand-held operator panel

Controller based ■ IndraControl VCH

Type code	Description	Part number:
RKS0011/16.0	Extension cable for VEH 30.2 with stop button	R911171696
RKS0012/016.0	Extension cable for VxH with emergency stop button	R911171950

Type code	Description	Part number:
DOK-SUPPL*-VCH*08.1***-PR02-DE-P	IndraControl VCH	R911320189
DOK-SUPPL*-VCH*08.1***-PR02-EN-P	Branch module - Fieldline	R911320190

Bosch Rexroth AG

Postfach 13 57
97803 Lohr, Germany
Bgm.-Dr.-Nebel-Str. 2
97816 Lohr, Germany
Tel. +49 9352 18-0
Fax +49 9352 18-8400
www.boschrexroth.com/electrics

Local contact information can be found at:

www.boschrexroth.com/adressen

The data specified above only serve to describe the product. As our products are constantly being further developed, no statements concerning a certain condition or suitability for a certain application can be derived from our information. The information given does not release the user from the obligation of own judgment and verification.

It must be remembered that our products are subject to a natural process of wear and aging.