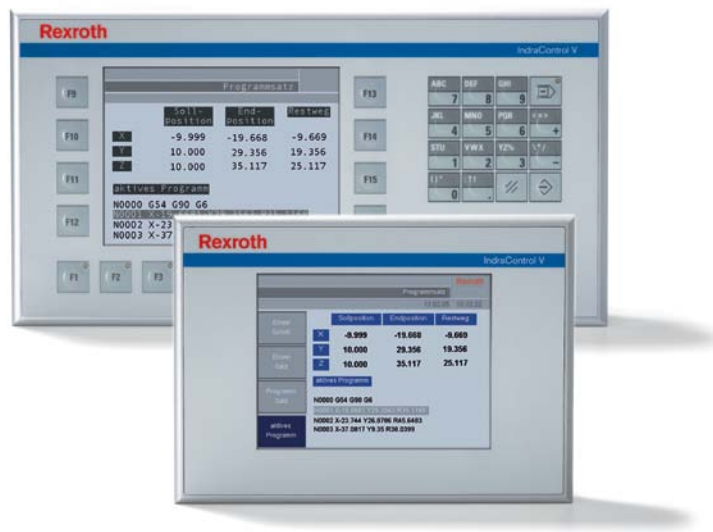


Compact operator terminals

5,7" FSTN-Display.

IndraControl VCP 20



Compact operator terminals

5,7" FSTN-Display. ■ IndraControl VCP 20

Documentation

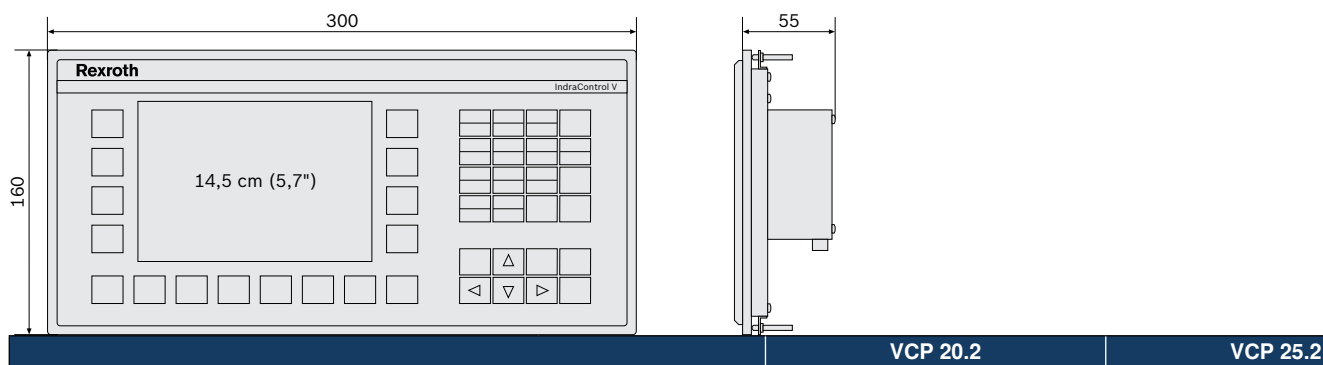
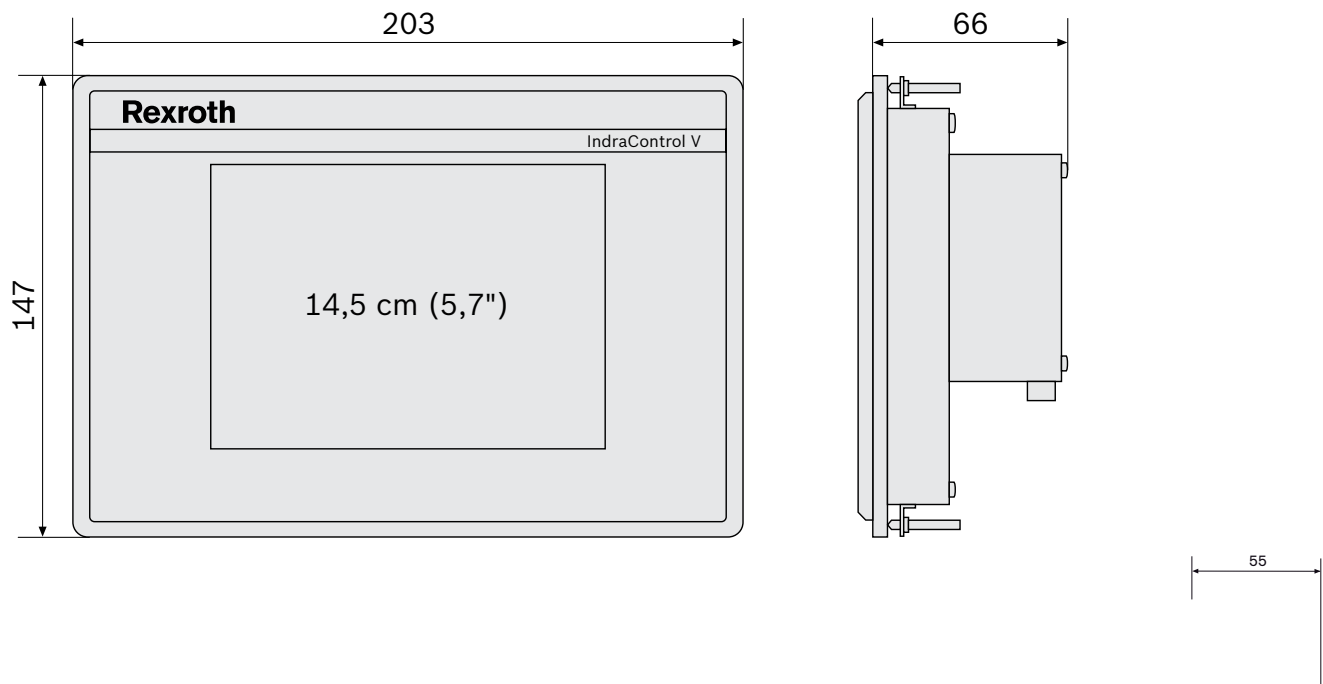
**Technical data**

	VCP 20.2	VCP 25.2
Processor		
CPU	RISC ARM9 200MHz	RISC ARM9 200MHz
Memory		
Application	3 MB	3 MB
Flash size	16 MB	16 MB
Slot	1	1
Display		
Type	FSTN	STN-Color
	graphic orientated	graphic orientated
Size	14.5 cm (5.7")	14.5 cm (5.7")
Colors/gray tones	5	128
	grey tones	Colors
Resolution	320 x 240	320 x 240
Operation		
Type	Function keys	Touch screen
	keyboard operation	touch operation
Function keys	16	0
... with LED	8	0
System keys	24	0
... with LED	3	0
Interfaces		
Ethernet	1 x Ethernet TCP/IP (Default)	1 x Ethernet TCP/IP (Default)
USB	2 x USB-Host (Default)	2 x USB-Host (Default)
Other	RS232/RS485 (Optional)	RS232/RS485 (Optional)
Fieldbus		
PROFIBUS	1 x PROFIBUS DP-Slave (Optional)	1 x PROFIBUS DP-Slave (Optional)
Electrical data		
Supply voltage	U	24 V DC

Compact operator terminals

5,7" FSTN-Display. ■ IndraControl VCP 20

Min.	U _{min}	19 V DC	19 V DC
Max.	U _{max}	30 V DC	30 V DC
Power consumption	[W]	6	8.4
Protection			
Category at front		IP65	IP65
Category at rear		IP20	IP20
Ambient conditions			
Permissible temperature (operation)		+5 °C ... +45 °C	
Permissible relative humidity (operation)		5 % ... 85 %, EN 61131-2	

Dimensions

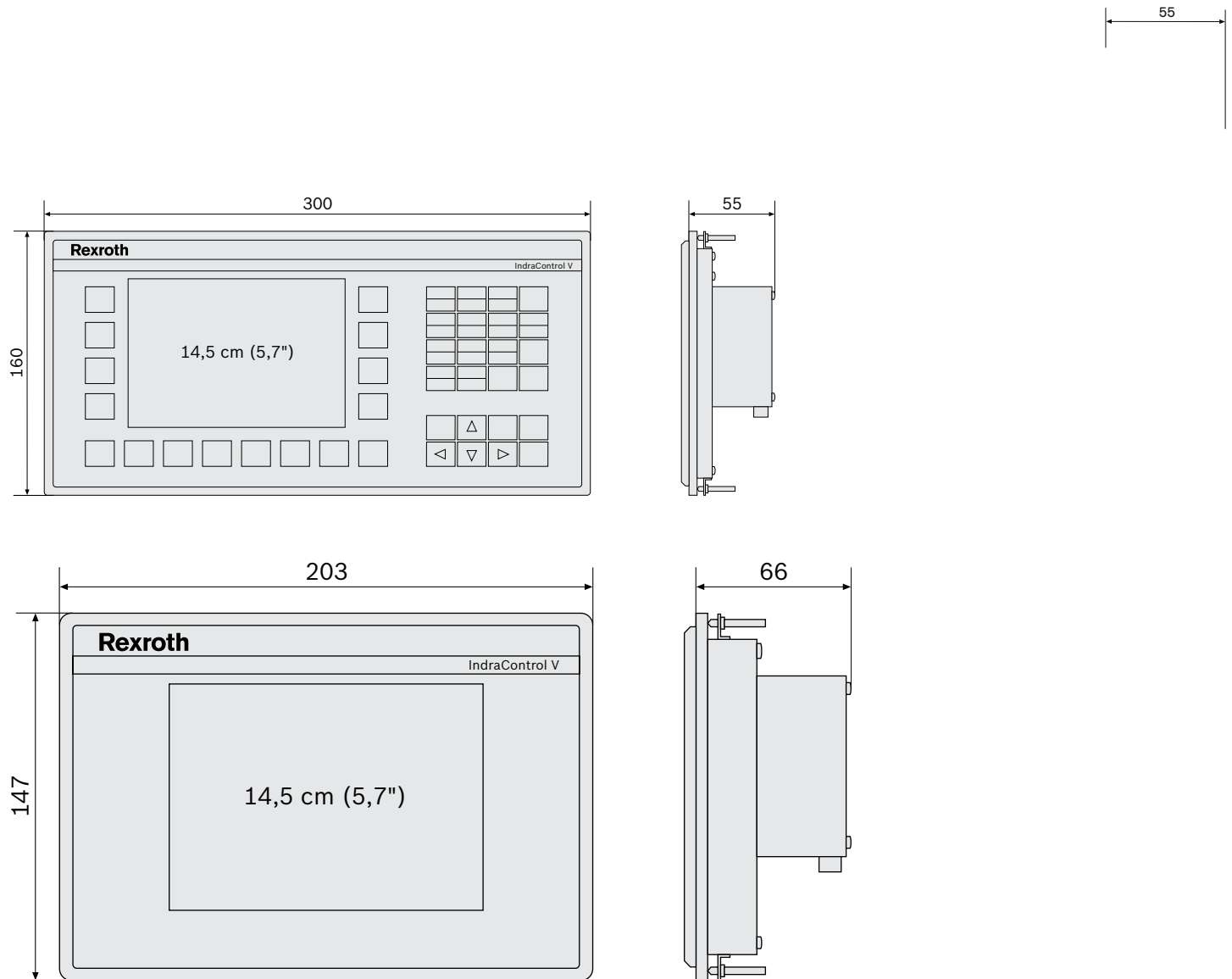
VCP 20.2

VCP 25.2

Compact operator terminals

5,7" FSTN-Display. ■ IndraControl VCP 20

Dimensions			
Height H	[mm]	160	147
Width B	[mm]	300	203
Depth T	[mm]	55	66

**Ordering information**

Type code	Description	Part number:
VCP20.2DUN-003-NN-NN-PW	IndraControl VCP 20	R911311501

Compact operator terminals

5,7" FSTN-Display. ■ IndraControl VCP 20

Type code	Description	Part number:
VCP20.2DUN-003-SR-NN-PW	IndraControl VCP 20 with serial interfaces	R911311502
VCP20.2DUN-003-PB-NN-PW	IndraControl VCP 20 with PROFIBUS DP-Slave	R911311503

Type code	Description	Part number:
VCP25.2DVN-003-NN-NN-PW	IndraControl VCP 25	R911311505
VCP25.2DVN-003-SR-NN-PW	IndraControl VCP 25 with serial interfaces	R911311506
VCP25.2DVN-003-PB-NN-PW	IndraControl VCP 25 with PROFIBUS DP-Slave	R911311507

Accessories

Type code	Description	Part number:
VAS04.1-001-002-NN	Battery-Kit	R911316662

Documentation

Type code	Description	Part number:
DOK-SUPPL*-VCP*20.2***-PR02-EN-P	IndraControl VCP 20	R911310381
DOK-SUPPL*-VCP*20.2***-PR02-DE-P	IndraControl VCP 20	R911310380
DOK-SUPPL*-VCP*25.2***-PR02-DE-P	IndraControl VCP 25	R911310382
DOK-SUPPL*-VCP*25.2***-PR02-EN-P	IndraControl VCP 25	R911310386

Bosch Rexroth AG

Postfach 13 57
97803 Lohr, Germany
Bgm.-Dr.-Nebel-Str. 2
97816 Lohr, Germany
Tel. +49 9352 18-0
Fax +49 9352 18-8400
www.boschrexroth.com/electrics

Local contact information can be found at:

www.boschrexroth.com/adressen

The data specified above only serve to describe the product. As our products are constantly being further developed, no statements concerning a certain condition or suitability for a certain application can be derived from our information. The information given does not release the user from the obligation of own judgment and verification.

It must be remembered that our products are subject to a natural process of wear and aging.